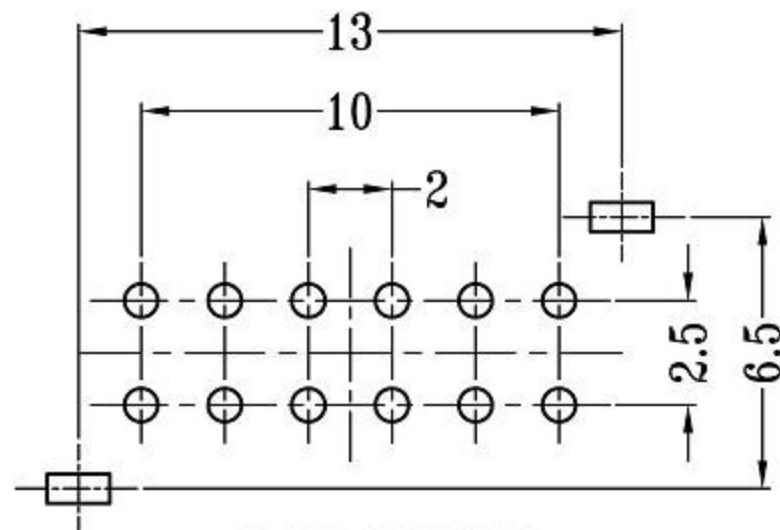
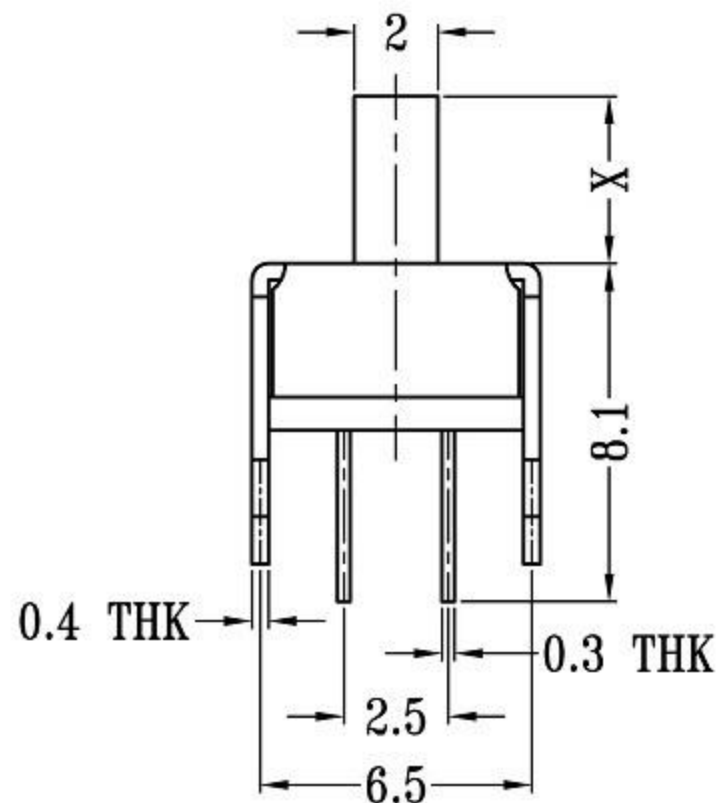
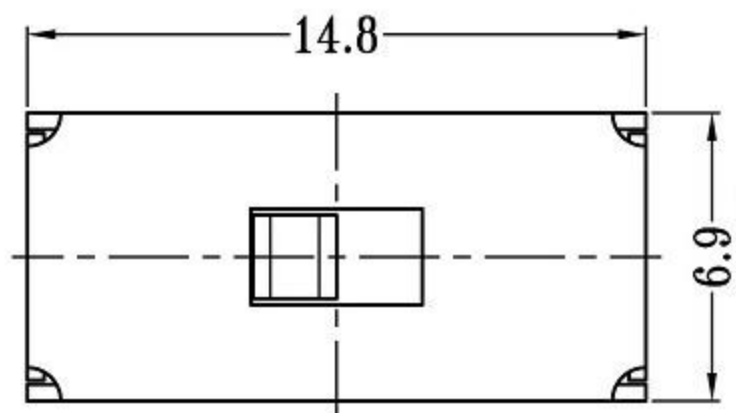
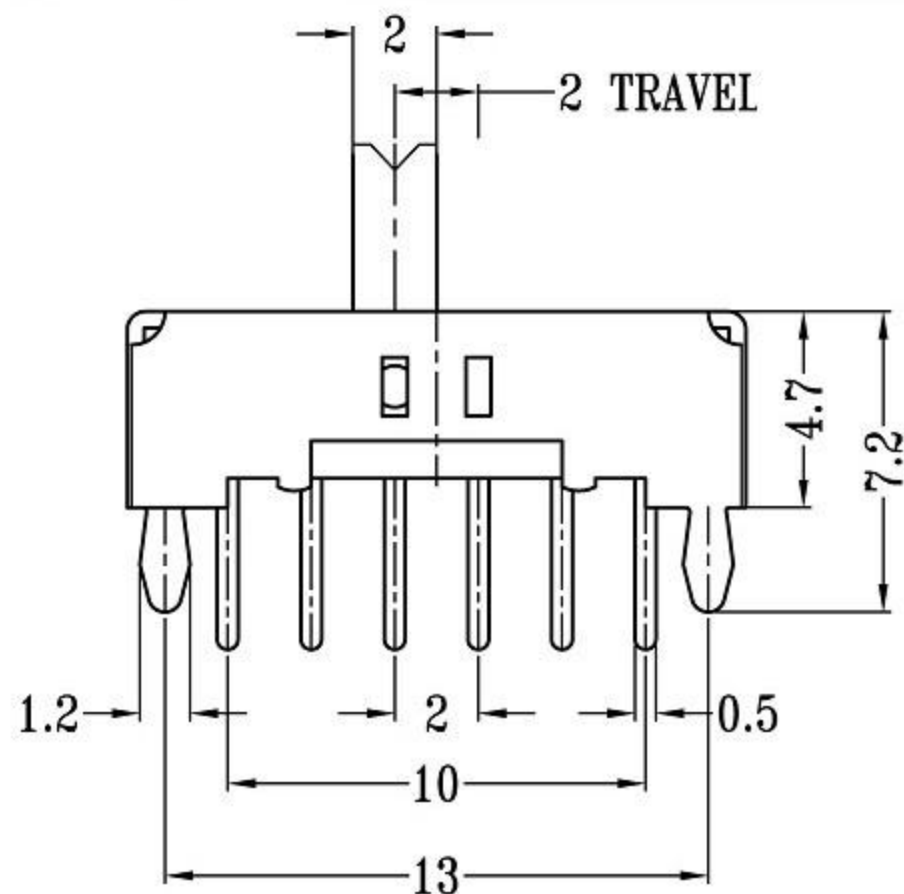
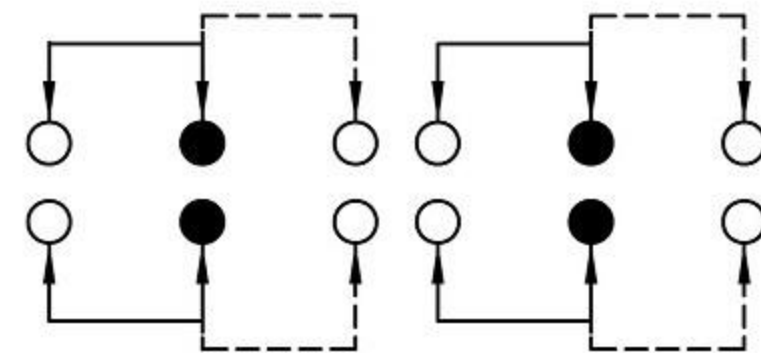




CAD FILE:



P.C.B LAYOUT
BOTTOM VIEW



SCHEMATIC (NON-SHORTING)

拨动开关立式技术参数:

1. 额定负荷: DC 30V 50V 0.3A 0.5A
2. 接触阻抗: $\leq 50m\Omega$
3. 绝缘阻抗: $\geq 100m\Omega$ DC500V
4. 耐焊温度: $250 \pm 5^\circ$ 5s
5. 使用寿命: 10,000 cycles
6. 使用温度: -25°C to 80°C
7. 使用湿度: $\leq 85\%$ RH
8. 操作力: 160gf 256gf 300gf 可定制
9. 手柄长度: 2mm-10mm 可定制

注: "*"表示关键尺寸(6个)

| NO. | PARTS | MATERIALS | Q'TY | FINISH | TOLERANCE UNLESS SPECIFIED | ISSUE | DATE | DESCRIPTIONS OF REVISION | APPD. |
|-----|--------------|----------------|------|-----------|-------------------------------|-------|------------|--------------------------|------------|
| 8 | | | | | | | | | |
| 7 | STEEL BALL | STEEL | 1 | NATURAL | | | | | |
| 6 | SPRING | STEEL WIRE | 1 | NATURAL | | | | | |
| 5 | CONTACT CLIP | PBS STRIP | 2 | Ag PLATED | WITHIN OVER | A | 2012-10-28 | 初版 | |
| 4 | TERMINAL | BRASS STRIP | 8 | Ag PLATED | | | | | |
| 3 | BASE | PHENOLIC RESIN | 1 | NATURAL | | | | | |
| 2 | FRAME | STEEL STRIP | 1 | Ni PLATED | | | | | |
| 1 | KNOB | POM | 1 | BLACK | | | | | |
| | | | | | TITLE : VERTICAL SLIDE SWITCH | | UNIT : mm | DRWG NO.: | |
| | | | | | MODEL: | | SCALE: 3:1 | DWN. | 2012-10-28 |
| | | | | | 东莞市高迪电子有限公司 | | CHK'D | | 2012-10-26 |
| | | | | | | | APPD. | | 2012-10-26 |